

# 5MP HD Intelligent ColorHunter Fixed Bullet Network Camera

IPC2225SE-DF40(60)K-WL-I0



## Key Features



- High quality image with 5MP, 1/2.7"CMOS sensor
- 5MP (2880\*1620)@30/25fps; 4MP (2560\*1440)@30/25fps;3MP (2304\*1296)@30/25fps; 2MP (1920\*1080)@30/25fps;
- Ultra 265, H.265, H.264, MJPEG
- Intelligent perimeter protection, include cross line, intrusion, enter area, leave area detection
- Based on target classification, smart intrusion prevention significantly reduce false alarm caused by leaves, birds and lights etc., accurately focus on human and, motor vehicle and non-motor vehicle
- Colorhunter technology ensures 24-hour full-color images
- 120dB true WDR technology enables clear image in strong light scene
- Support 9:16 corridor Mode
- Alarm:1 in/1 out, Audio: 1 in/1 out
- Supports 256 G micro SD card
- IK10 vandal resistant and IP67 protection
- Support PoE power supply

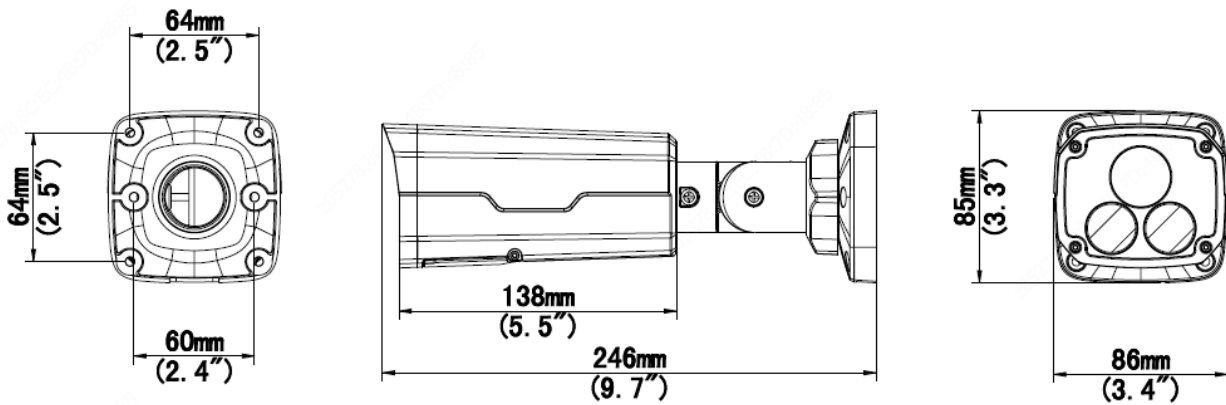
## Specifications

|                         | IPC2225SE-DF40K-WL-I0   | IPC2225SE-DF60K-WL-I0 |                   |               |              |
|-------------------------|---|-----------------------|-------------------|---------------|--------------|
| <b>Camera</b>           |   |                       |                   |               |              |
| Sensor                  | 1/2.7", 5.0 megapixel, progressive scan, CMOS   |                       |                   |               |              |
| Minimum Illumination    | Colour: 0.001Lux (F1.0, AGC ON)   |                       |                   |               |              |
| Shutter                 | Auto/Manual, 1 ~ 1/100000s  |                       |                   |               |              |
| Adjustment angle        | Pan: 0° ~ 360°  | Tilt: 0° ~ 90°        | Rotate: 0° ~ 360° |               |              |
| WDR                     | 120dB   |                       |                   |               |              |
| S/N                     | >56dB   |                       |                   |               |              |
| <b>Lens</b>             |   |                       |                   |               |              |
| Lens                    | 4.0mm@F1.0  | 6.0mm@F1.0            |                   |               |              |
| Angle of View (H)       | 80.2°   | 53.4°                 |                   |               |              |
| Angle of View (V)       | 43.0°   | 29.2°                 |                   |               |              |
| Angle of View (O)       | 94.7°   | 61.6°                 |                   |               |              |
| <b>DORI</b>             |   |                       |                   |               |              |
|                         | Lens (mm)   | Detect (m)            | Observe (m)       | Recognize (m) | Identify (m) |
| DORI Distance           | 4.0   | 90.0                  | 36.0              | 18.0          | 9.0          |
|                         | 6.0   | 135.0                 | 54.0              | 27.0          | 13.5         |
| <b>Illuminator</b>      |   |                       |                   |               |              |
| LED Distance            | Up to 30m (98ft)  |                       |                   |               |              |
| LEDs Number             | 2   |                       |                   |               |              |
| LED On/Off Control      | Auto/Manual   |                       |                   |               |              |
| <b>Video</b>            |   |                       |                   |               |              |
| Video Compression       | Ultra265, H.265, H.264, MJPEG   |                       |                   |               |              |
| H.264 code profile      | Baseline profile, Main profile, High profile  |                       |                   |               |              |
| Frame Rate              | Main Stream: 5MP (2880*1620), Max 30fps; 4MP (2560*1440), Max 30fps; 3MP (2304*1296), Max 30fps; 2MP (1920*1080), Max 30fps; 720P(1280*720), Max 30fps<br>Sub Stream: 720P (1280*720), Max 30fps; D1 (720*576), Max 30fps; 640*360, Max 30fps;<br>Third Stream: D1 (720*576), Max 30fps; 640*360, Max 30fps; 2CIF (704*288), Max 30fps; CIF (352*288), Max 30fps; |                       |                   |               |              |
| Video Bit Rate          | 128 Kbps~16 Mbps  |                       |                   |               |              |
| U-code                  | Support   |                       |                   |               |              |
| ROI                     | Up to 8 areas   |                       |                   |               |              |
| Video Stream            | Triple streams  |                       |                   |               |              |
| OSD                     | Up to 8 OSDs  |                       |                   |               |              |
| Privacy Mask            | Up to 4 areas   |                       |                   |               |              |
| <b>Image</b>            |   |                       |                   |               |              |
| White Balance           | Auto/Outdoor/Fine Tune/Sodium Lamp/Locked/Auto2   |                       |                   |               |              |
| Image Setting           | Image rotation, brightness, saturation, contrast, sharpness, gain adjustable by web browser   |                       |                   |               |              |
| Digital noise reduction | 2D/3D DNR   |                       |                   |               |              |
| Smart Illumination      | Support   |                       |                   |               |              |
| Flip                    | Normal/Vertical/Horizontal/180°/90°Clockwise/90°Anti-clockwise  |                       |                   |               |              |
| Dewarping               | N/A   |                       |                   |               |              |
| HLC                     | Support   |                       |                   |               |              |

|                            |   |
|----------------------------|---|
| BLC                        | Support   |
| Defog                      | Digital Defog   |
| <b>Intelligent</b>         |   |
| Smart intrusion prevention | Support false alarm filtering: Line crossing detection, Intrusion detection, Region entrance detection, Region exit detection                     |
| Statistical Analysis       | People counting, support tripwire people counting and area people counting  |
| <b>Events</b>              |   |
| Basic Detection            | Motion detection, Tampering alarm, Audio Detection  |
| General Function           | Watermark, IP Address Filtering, Alarm input, Alarm output, Access Policy, ARP Protection, RTSP Authentication, User Authentication               |
| <b>Audio</b>               |   |
| Audio Compression          | G.711   |
| Audio Bitrate              | 64 Kbps   |
| Two-way audio              | Supported   |
| Suppression                | Supported   |
| Sampling Rate              | 8KHZ  |
| <b>Storage</b>             |   |
| Edge Storage               | Micro SD, up to 256GB   |
| Network Storage            | ANR, NAS(NFS)   |
| <b>Network</b>             |   |
| Protocols                  | IPv4, IGMP, ICMP, ARP, TCP, UDP, DHCP, PPPoE, RTP, RTSP, RTCP, DNS, DDNS, NTP, FTP, UPnP, HTTP, HTTPS, SMTP, 802.1x, SNMP, QoS, RTMP,SSL/TLS, SSH |
| Compatible Integration     | ONVIF (Profile S, Profile G, Profile T), API,SDK  |
| Client                     | EZStation<br>EZView<br>EZLive   |
| Web Browser                | Plug-in required live view: IE9+, Chrome 41 and below, Firefox 52 and below<br>Plug-in free live view: Chrome 57.0+, Firefox 58.0+, Edge 16+      |
| <b>Interface</b>           |   |
| Audio I/O                  | Input: impedance 35kΩ; amplitude 2V [p-p]<br>Output: impedance 600Ω; amplitude 2V [p-p]   |
| Alarm I/O                  | 1/1   |
| RS485                      | N/A   |
| Built-in Mic               | N/A   |
| Built-in Speaker           | N/A   |
| WIFI                       | N/A   |
| Network                    | 1 RJ45 10M/100M Base-TX Ethernet  |
| Video Output               | N/A   |
| <b>Certifications</b>      |   |
| EMC                        | FCC CFR 47 Part 15<br>EN 55032:2015<br>EN 55024:2010<br>EN 61000-3-2:2014<br>EN 61000-3-3-2013  |
| Safety                     | IEC 62368-1<br>EN 62368-1<br>UL 62368-1   |

|                        |  |
|------------------------|--|
| Environment            | CE-ROHS (2011/65/EU;(EU)2015/863); WEEE (2012/19/EU); REACH (Regulation (EC) No 1907/2006) |
| Protection             | Ingression protection: IP67 (IEC 60529-2013)<br>Vandal resistant: IK10 (IEC 62262:2002)    |
| <b>General</b>         |  |
| Power                  | DC 12V±25%, PoE (IEEE 802.3af)   |
|                        | Power consumption: Max 9.0W  |
| Power Interface        | Ø 5.5mm coaxial power plug   |
| Dimensions (L x W x H) | 246x 86 x 85mm (9.7" x 3.4" x 3.3")  |
| Weight                 | 0.92kg (2.02lb)  |
| Material               | Metal  |
| Working Environment    | -30°C ~ 60°C (-22°F ~ 140°F), Humidity: ≤95% RH (non-condensing)                           |
| Storage Environment    | -30°C ~ 60°C (-22°F ~ 140°F), Humidity: ≤95% RH (non-condensing)                           |
| surge protection       | 4KV  |
| Reset Button           | N\A  |

## Dimensions

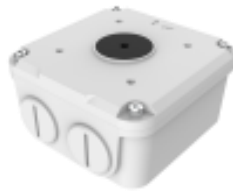


## Accessories

TR-JB07-D-IN



TR-JB06-A-IN



TR-UP06-B-IN



TR-UP06-C-IN



TR-A01-IN



| Junction Mount                           | Pole Mount   |
|--|--------------|
| TR-JB07-D-IN(TR-JB06-A-IN)+ TR-UP06-C-IN | TR-UP06-B-IN |
|  |              |

**Zhejiang Uniview Technologies Co., Ltd.**

Building No.10, Wanlun Science Park, Jiangling Road 88, Binjiang District, Hangzhou, Zhejiang, China (310051)

Email: [overseasbusiness@uniview.com](mailto:overseasbusiness@uniview.com); [globalsupport@uniview.com](mailto:globalsupport@uniview.com)

<http://www.uniview.com>

©2020/2022 Zhejiang Uniview Technologies Co., Ltd. All rights reserved.

\*Product specifications and availability are subject to change without notice.